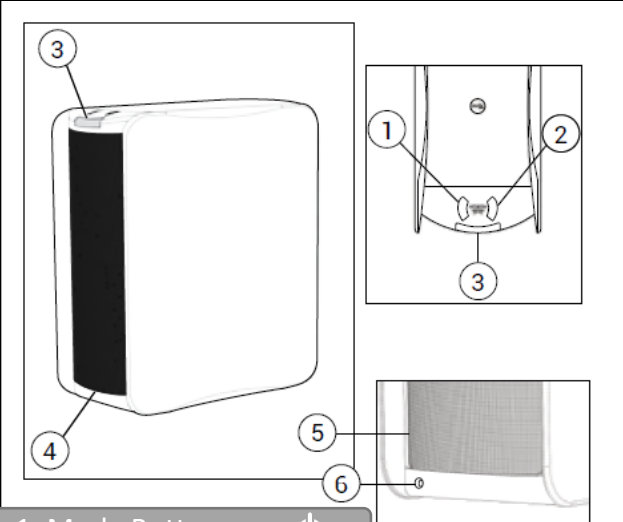


1 OVERVIEW



- 1. Mode Button** Turn ON / Hold to turn OFF | Tap to cycle modes
- 2. Power Level Button** Turn ON | Tap to cycle different sanitization powers
- 3. Top LED Indicator** Mode & Power Level displays
- 4. Front Out Air-vent** Clean air exits here
- 5. Back In Air-vent** Contaminated air enters here
- 6. Back Power Port** Barrel type socket

2 KEY FEATURES

- ACTIVE SANITISATION**
Plascide Micro-lightning process
Anti-germ & VOCs technology
- NO EXOTIC FILTERS**
No expensive, special or exotic filters required
A simple fine dust filter for ease of mind
- RAPID EFFECTIVENESS**
Where every breath counts,
Sanitise within seconds
- WIFI CONTROL**
Control and monitor your Deskmate
wherever you are

3 PACKAGE CONTENT

1. Air Halo Deskmate
2. PM 2.5 filter
3. Pre-filter (Washable)
4. Power supply adapter
5. Manual & Warranty Card
6. Magnetic Feet (x4)

4 QUICK START

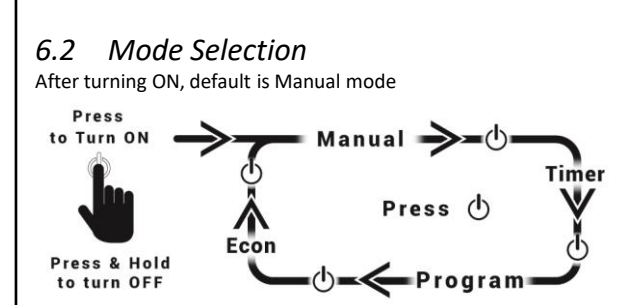
1. Plug power supply adapter into wall socket
2. Plug barrel type connector into Deskmate's back power port
3. Press or Button to power on
4. Tap button to change sanitisation power level

5 SAFETY PRECAUTIONS

1. Handle with care when transporting or moving
2. Deskmate can be damaged if dropped, burned, punctured or crushed
3. Do not operate if damaged and / or when any parts are broken to avoid potential injury
4. Power with the included power supply adapter only
5. Do not operate with damaged connectors, cables or power supply adapter
6. During operation or storage keep indoors and dry
7. Do not operate if wet and / or immersed in any liquid to avoid potential injuries and/or damages to properties
8. Do not allow infants and young children to operate unsupervised
9. Keep magnetic feet away from infants, young children and animals as they can be choking hazards
10. Do not insert any objects into the In or Out air-vents
11. Do not operate without any parts attached or any panels left open
12. Close left side panel and ensure all filters are seated correctly before operating
13. Do not block the In or Out air-vents during operation

6 OPERATION GUIDE

6.1 Buttons
Tap or to turn ON
To turn OFF, press and hold for a few seconds.
Tap to cycle the modes, LED will flash to different colours when cycled.



6.3 Mode
Different LED colours indicate different modes

LED MODE		DESCRIPTION
RED	OFF	Fan & Sanitisation Off, WIFI in Standby
WHITE	MANUAL	Direct control by user
BLUE	PROGRAM	Time & Day schedule set by user
YELLOW	TIMER	Turn off after a set duration
GREEN	ECON	Pre-programmed optimised performance

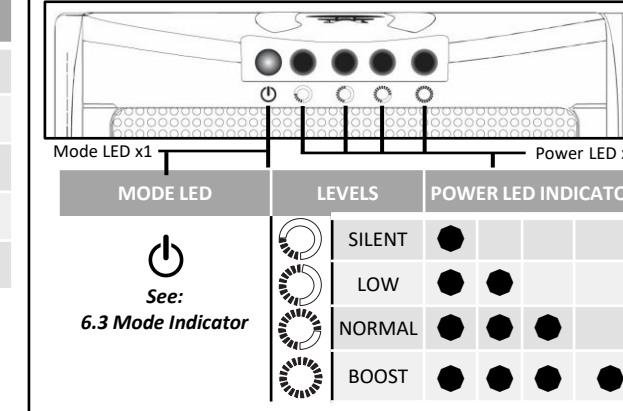
6.4 Sanitisation Power Levels

In Manual, Program and Timer modes, press to cycle through the power levels.
In Program mode, you can configure each schedule to a specific sanitisation power level, for any time and day.
For more details, see: **7.6 Configure: Program**
In Econ mode, sanitisation power level is automatic and cannot be manually changed during operations.

POWER	DESCRIPTION
SILENT	Quiet comfort & Sleep
LOW	Low power for relaxing study
NORMAL	Everyday optimised power
BOOST	Max coverage for demanding situation
OFF	Turn OFF (Program Mode Only)

6.5 TOP LED Indicator

The left LEDs is for mode indication. The 4 LEDs at the right for sanitization power indication.



7 WIFI CONTROLS

Remotely control and customise settings for Timer & Program mode from a web browser on a PC, Mobile or Android app from google Play Store. **Step-by-Step Control Guide**, please see: **11.4 Support Plug Power Supply into the Deskmate & the Wall Socket**
WIFI Hotspot (WIFI4 / 2.4GHz) will turn on automatically when connected to power supply. Ensure the Indicator LED is lit RED.

7.1 Quick Connect Guide

- CONNECT BY ANDROID APP**
- A. Download on Google Play Store (QR Link): <https://play.google.com/store/apps/details?id=com.aonetech.airhalo>
 - B. At the home screen, press "Refresh" button to search for your Deskmate. A list of available WIFI HOTSPOT will be displayed
 - C. WIFI HOTSPOT name (SSID) is **Model No. + Serial No.** Please see product label for details ("AHD01SXXXX")
 - D. On the list display select the Deskmate you wish to control, this will load the login page: **See Step 3 Below**

Connect by Web Browser

1. Connect to Deskmate's WIFI hotspot manually: **See Step D**
2. In your **web browser** search bar, type the IP address:
3. After connecting by android app or web browser, The Deskmate login page requires Username & Password
Default Username: **admin**
Default Password: **admin**
4. Only one user can control remotely (App/Browser) "Log out" (Top left) to allow another user to connect

Device use 2.4GHz band. Interference may occur in congested areas. If unable to connect to Hotspot, Switch off other devices and/or move to a less congested WIFI area. Please see: **11. Troubleshooting**
For online Step-by-Step Control Guide, please see: **11.4 Support**

7.2 Control Panel

- Following functions can be configured through PC or mobile by wifi connection
- On/Off – Turn the Deskmate to Standby mode
 - Mode/Power Status – Display current status here
 - Modes – Switch to Manual/Timer/Program/Econ
 - Power Level – User can take manual control
 - Advance Panel – Access by "Gear" icon (Top Right)
 - Logout – Return to login page "Cross" icon (Top Left)

7.3 Advance Panel

- Following functions can be configured through PC or mobile by wifi connection
- Device Name – Display name of the Deskmate
 - Login Password – Set custom password
 - Timer – Configure timer mode
 - Program – Configure program mode
 - Bright – Set LED brightness
 - Clock – Set date and time
 - Network – Configure network setting
 - Firmware – Update firmware
 - Reset – Apply factory default

Program allows Deskmate scheduling for the entire week. Set time, day of the week and the sanitisation power level.

Please ensure the Time and Day is set to your time zone before utilising PROGRAM mode.

1. Set Hours, Minutes and AM/PM
2. Set date (DD-MM-YYYY)

For further details please go to our website for the latest manual: www.air-halo.com

Reset - !Warning!
Selecting this option will restore all software to factory default.
Please see for more details: **11.1 Troubleshooting**

7.4 Configure: Timer

Timer mode automatically shutdown the Deskmate within a set duration when activated. Configure the duration of the timer in hours and minute incrementation
Default shutdown in 3 hours

7.5 Configure: Program

Program allows Deskmate scheduling for the entire week. Set time, day of the week and the sanitisation power level.

30 programs can be scheduled.

7.6 System: Network

Connect to WIFI HOTSPOT for First Time Initiation of Deskmate
Default hotspot SSID is Product No. + Serial No. ("AHD01SXXXX"). This can be found on the product label. The Hotspot operate on the 2.4GHz band. SSID name and password is fully customisable.

WIFI Local Area Network (WLAN) on a home router

WLAN is compatible with WPA and WPA2 encryption
To connect:

- Click "Search WIFI" to discover available networks
- Click "SSID" to select desired network
- Enter password of the selected network
- Click "Apply" or "Reboot"

Multiple Deskmate's can connect to the same WIFI Local Area Network (WLAN) on a home network.

The WLAN IP of the Deskmate will be displayed on the Login page

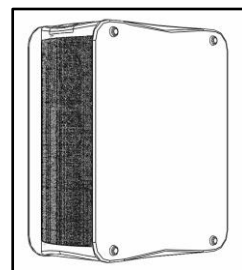
7.7 System: Clock

To ensure Program mode is running correctly, set Deskmate to your current time zone.

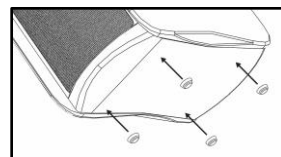
7.8 System: Firmware

Customer support may direct user to update the firmware if required. Please see : **11.4 Support**

8 MAGNETIC FEET



Side Position:
Attach magnetic feet to the right side panels at the four corners indicated.



Bottom Position: Attach magnetic feet to the bottom panel at the four corners indicated.

9 MAINTENANCES

9.1 Cleaning Recommendation

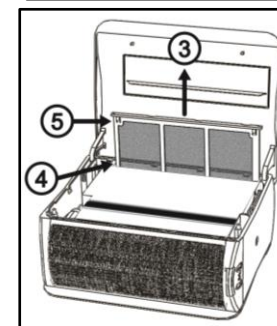
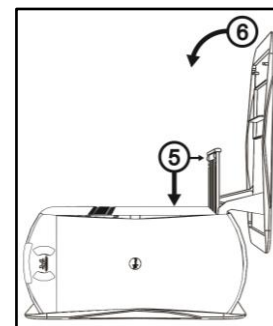
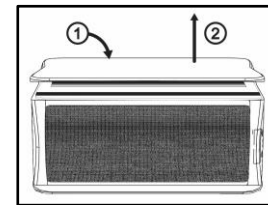
Before cleaning, please switch OFF & Unplug Power Supply

- Plastic: Use a slightly damp cloth to wipe clean any blemish or dirt on the surface.
- In/out-vent Metal Mesh: Vacuum the mesh carefully, use a cotton bud to remove dust from between the vents.
- Pre-Filter: vacuum & rinse with water (periodically)

9.2 Pre-filter

It is recommended to clean pre-filter every 6-9 months.

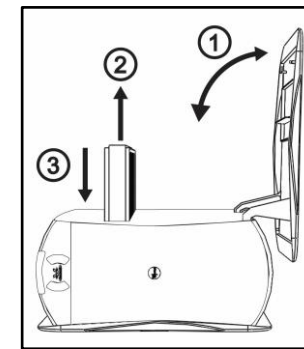
- Lift the panel & gently remove the pre-filter
- Wash clean with water & dry thoroughly before replacing
- Vacuum clean any dust or obstruction within
- Align pre-filter and push down
- Close the panel until it secured by magnets



9.3 PM2.5 Filter

It is recommended to replace PM2.5 filter every 6-9 months.

CAUTION: Do not remove PM2.5 filter without unplugging power supply first.



- Lift the front edge of the panel
- Grip the strips at the left and right of the filter and pull out the filter
- Align replacement filter with the label facing air out vent and push until it is flush with the opening

When PM2.5 filter is full, do not incinerate. Disposed separately from household waste.

9.4 Repair

Maintenance by user is not advised. For more details please see: **11.2 Warranty**

10 SPECIFICATIONS

- Model: AHD01
- Modes: Manual / Timer / Program / ECON
- Sanitisation Power Levels: Silent / Low / Normal / Boost
- WIFI: 802.11 b/g/n @ 2.4GHz (WIFI 4)
- Weight: 5kg
- Air Sanitiser: Plascide micro-lightning Technology
- Recommend Usage: 200 ft²
- Supply: 100-220V@50/60Hz | Output: DC 12V, 5A
- Power: 60W
- Dimension (283 x 333 x 140)mm

SUBJECT TO CHANGE WITHOUT PRIOR NOTICE

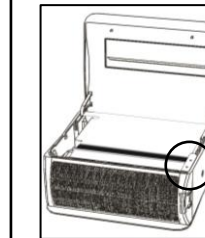
11 SERVICE & SUPPORT

11.1 Troubleshooting

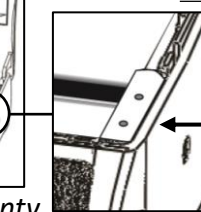
No LED ON, No Fan	Power Cable Not Secured	Plug All Power Supply & Cables Into Socket Securely
No LED ON, Fan On	Low-light Setting On	Tap Buttons For LED Response Please See: 6.1 Function Button
No Button/Fan Response	Low -Light With Timer/Program Mode Activated	
Rattling Fan, Loud Fan Noise	Left Side Panel Not Closed & Loose Magnetic Feet	Close All Panels & Attach Supplied Feet Please See: 8 Magnetic Feet
Fan Is On But No Air Flow	Pre-Filter Need Cleaning	Please See: 9.4 Pre-Filter
Fan Is On, Pre-filter Cleaned But No Air Flow	PM2.5 Filter Need Cleaning	Please See: 9.5 PM2.5 Filter
All Red LED Flashing		
All Red LED, No Fan, No Button Response	Product Fault	Apply "Factory Default" Or Please See: 11.3 Warranty
No LED or Button Response With Cable Plugged		
Program Mode Not Keeping the Correct Schedules	Factory reset	If persistent Please See: 11.4 Support
Time & Date not Correct After Every Power Reset		
Forgot login password	Hardware reset	Please See: 11.2 Hard Reset

11.2 Hard Reset

If you have exhausted all possible solutions to fix your problem. You can perform a hardware reset to restore the factory defaults



Plug Power Supply into the Deskmate & the Wall Socket:



- Lift up left side panel
- Locate the first hole labelled: "**Recover**"
- Insert a pen or screwdriver
- Press down firmly for a second

11.3 Warranty

- Deskmate is covered by a manufacturer guarantee and warranty
- Self-repair and/or signs of tampering will void the warranty
- Repairs should only be carried out by a certified person
- Please refer to the included warranty card for more details

11.4 Support

Latest documentation, visit: a-onetech.com.hk/en-downloads

Please contact your local service centre or the main office:

T: (+852) 21531812 | F: (+852) 21531813 | E: cs@a-onetech.com.hk

W: a-onetech.com.hk | www.air-halo.com

Caution: This device complies with part 15 of the FCC Rules and Industry Canada license-exempt RSS standard(s). Operation is subject to the following two conditions: (1) This device may not cause harmful interference, and (2) this device must accept any interference received, including interference that may cause undesired operation.

The manufacturer is not responsible for any radio or TV interference caused by unauthorized modifications or change to this equipment. Such modifications or change could void the user's authority to operate the equipment.

This equipment has been tested and found to comply with the limits for a Class B digital device, pursuant to part 15 of the FCC Rules. These limits are designed to provide reasonable protection against harmful interference in a residential installation. This equipment generates, uses and can radiate radio frequency energy and, if not installed and used in accordance with the instructions, may cause harmful interference to radio communications. However, there is no guarantee that interference will not occur in a particular installation. If this equipment does cause harmful interference to radio or television reception, which can be determined by turning the equipment on and off, the user is encouraged to try to correct the interference by one or more of the following measures:

- Reorient or relocate the receiving antenna.
- Increase the separation between the equipment and receiver.
- Connect the equipment into an outlet on a circuit different from that to which the receiver is connected.
- Consult the dealer or an experienced radio/TV technician for help.

The device has been evaluated to meet general RF exposure requirement. To maintain compliance with FCC's RF exposure guidelines, the distance must be at least 20 cm between the radiator and your body.

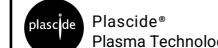
IC Warning: This device complies with Industry Canada license-exempt RSS standard(s). Operation is subject to the following two conditions: (1) this device may not cause harmful interference, and (2) this device must accept any interference that may cause undesired operations of the device.

Le présent appareil est conforme aux CNR d'Industrie Canada applicables aux appareils radio exempts de licence. L'exploitation est autorisée aux deux conditions suivantes: (1) l'appareil ne doit pas produire de brouillage, et (2) l'utilisateur de l'appareil doit accepter tout brouillage radioélectrique subi, même si le brouillage est susceptible d'en compromettre le fonctionnement.

The device has been evaluated to meet general RF exposure requirement. To maintain compliance with RSS-102 --- Radio Frequency (RF) Exposure guidelines, this equipment should be installed and operated with a minimum distance of 20cm between the radiator and your body.

Le dispositif de a été évalué à répondre générale RF exposition exigence. Pour maintenir la conformité avec les directives d'exposition du RSS-102-Radio Fréquence (RF), Ce matériel doit être installé et exploité à une distance minimale de 20 cm entre le radiateur et votre corps.

US Warning: - To reduce the risk of injury, user must read instruction manual. Use only with Listed/Certified ITE Power Supply



AIR HALO DESKMATE AIR SANITISER

EN

User MANUAL
Model: AHD01



- OVERVIEW
- KEY FEATURES
- PACKAGE CONTENT
- QUICK START GUIDE
- SAFETY PRECAUTIONS
- OPERATION GUIDE
- WIFI CONTROLS
- MAINTENANCES
- MAGNETIC FEET
- SPECIFICATIONS
- SERVICE & SUPPORT



PLEASE READ THIS MANUAL BEFORE USE

